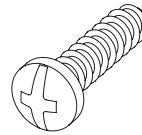
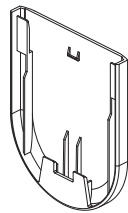
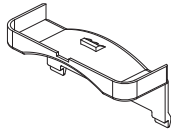
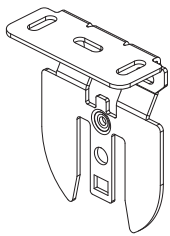
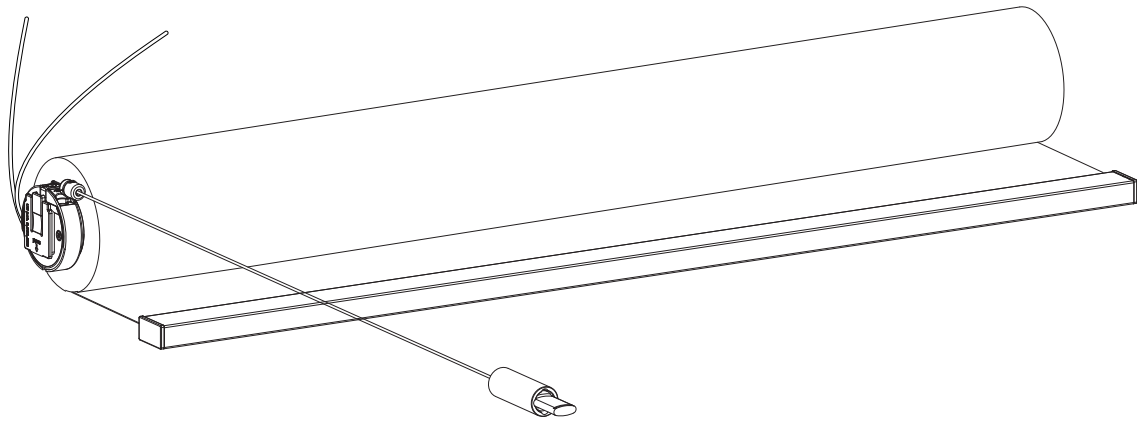


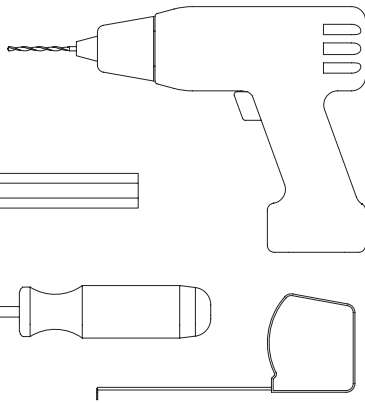
Read the instructions carefully before assembling and using the product.
Assembling process can be completed by non-professionals. For indoor use only.



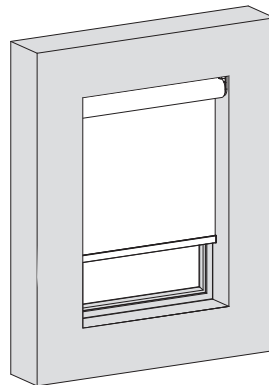
QR



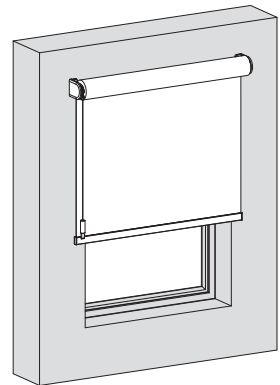
<https://smartbl.in/mh01>



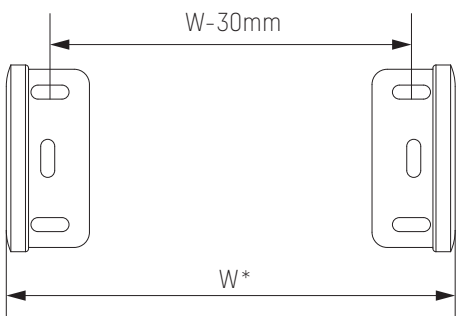
Inside mount



Outside mount

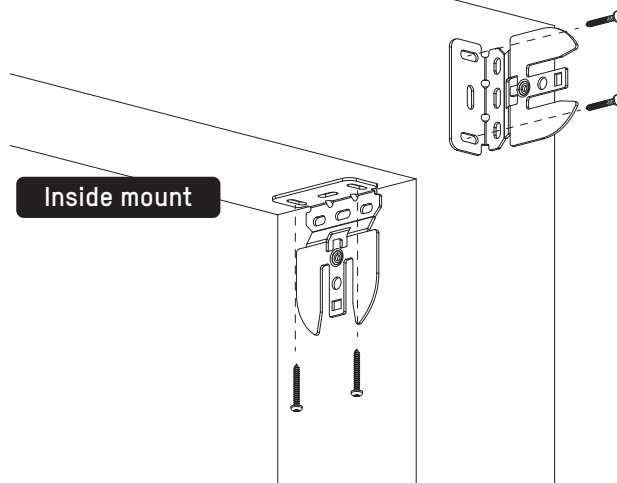


Outside mount

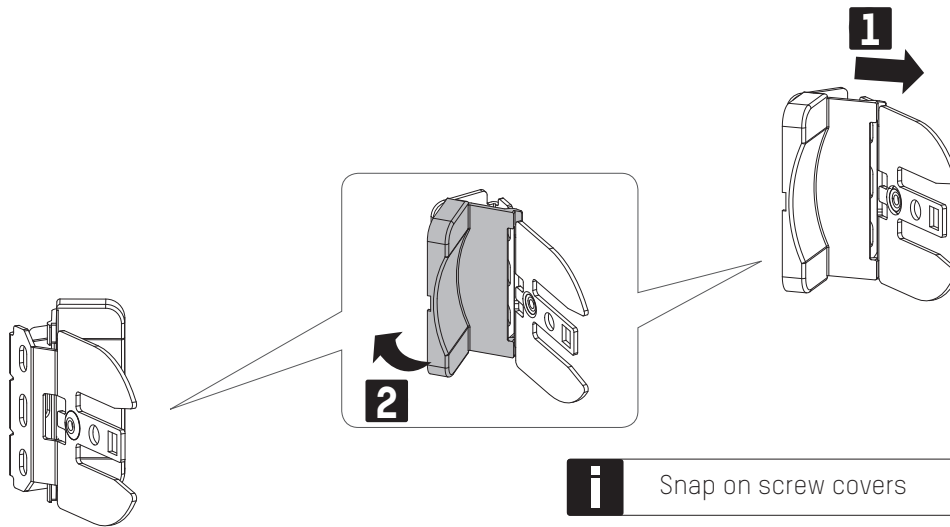


*W 'Inside mount' = ordered Width-10mm
W 'Outside mount' = ordered Width

Inside mount

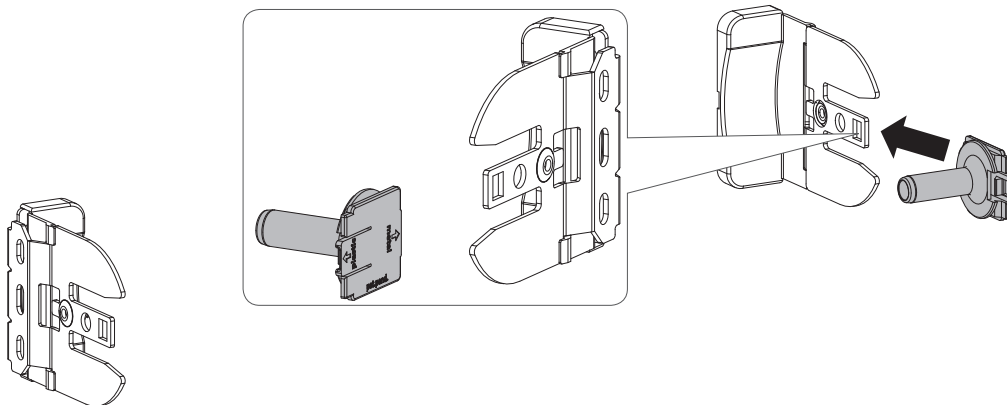


1



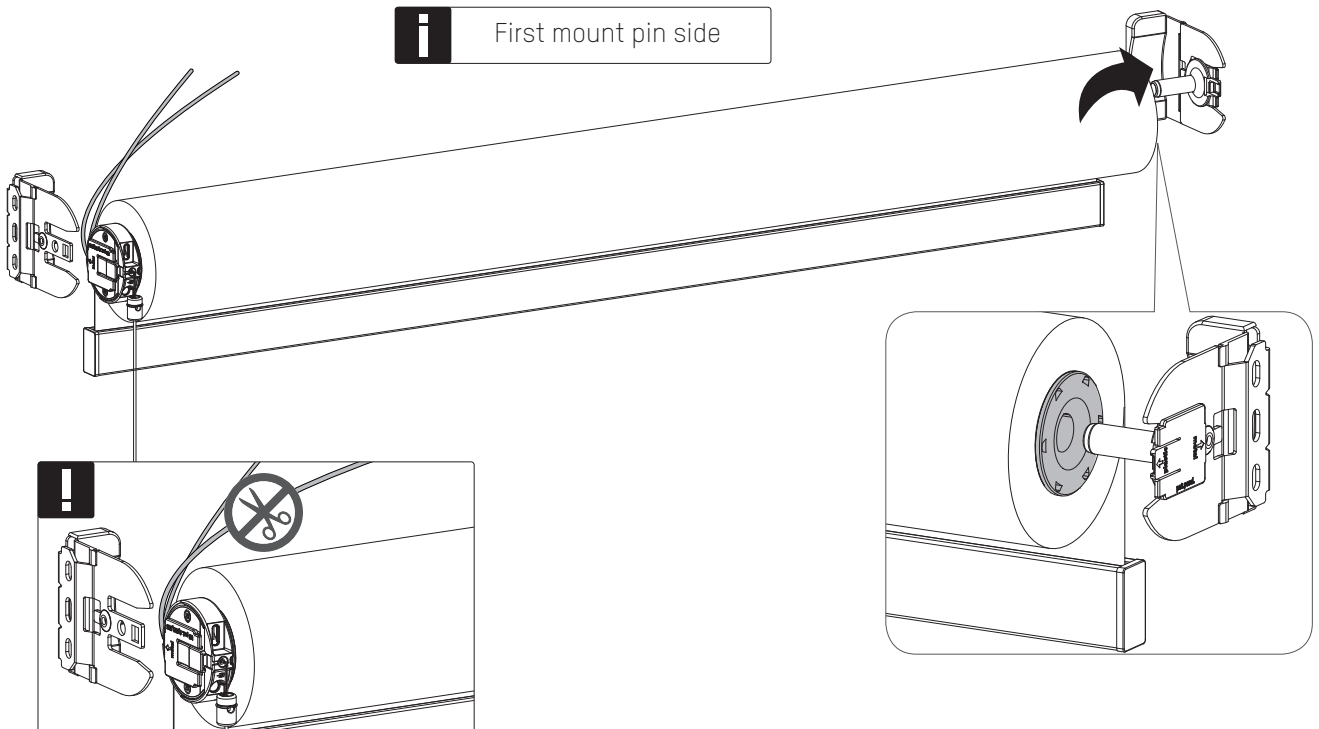
i Snap on screw covers

2



3

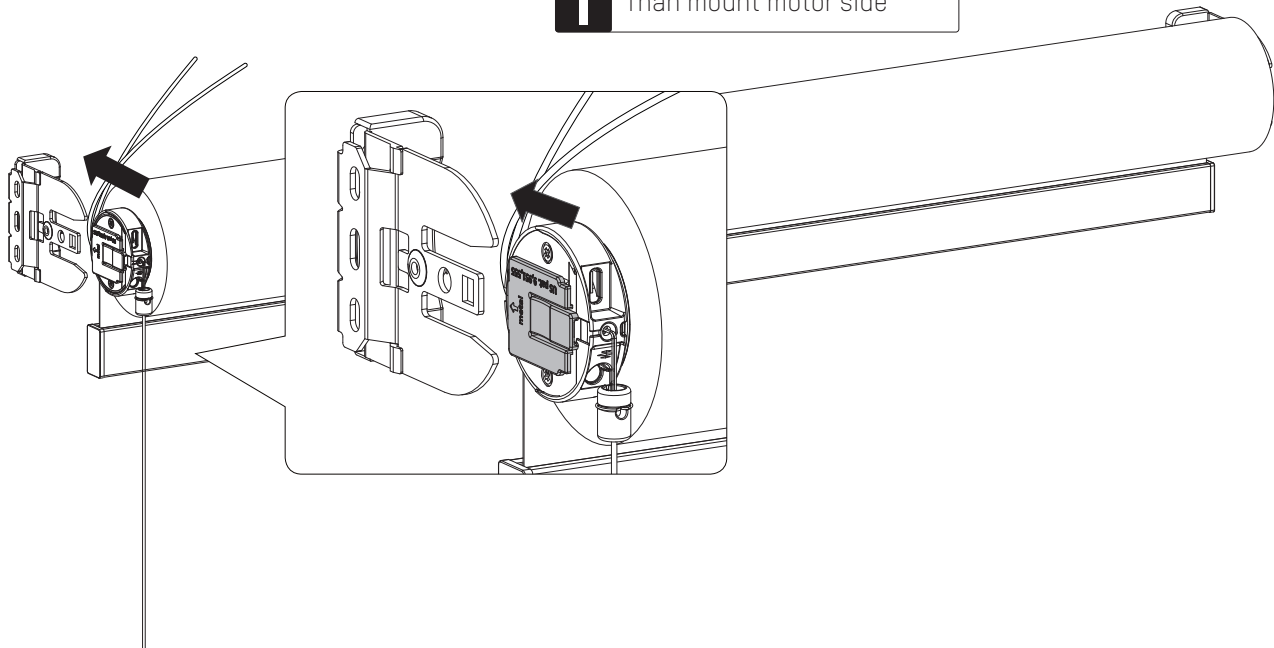
i First mount pin side



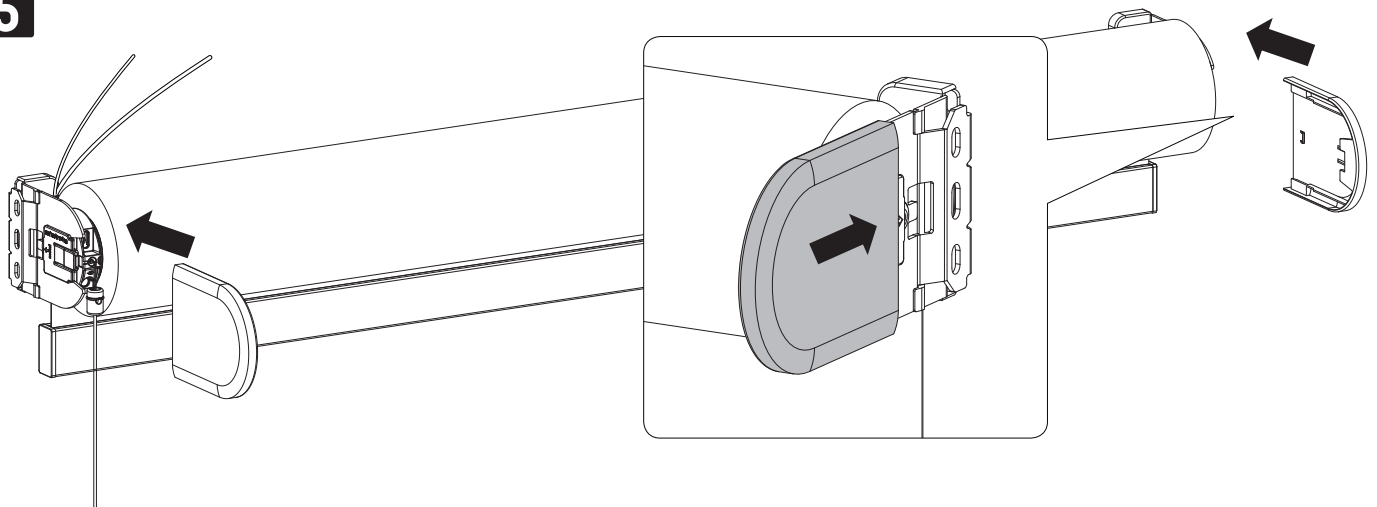
MN210080_20220317_EN

4

i Then mount motor side



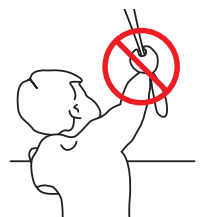
5

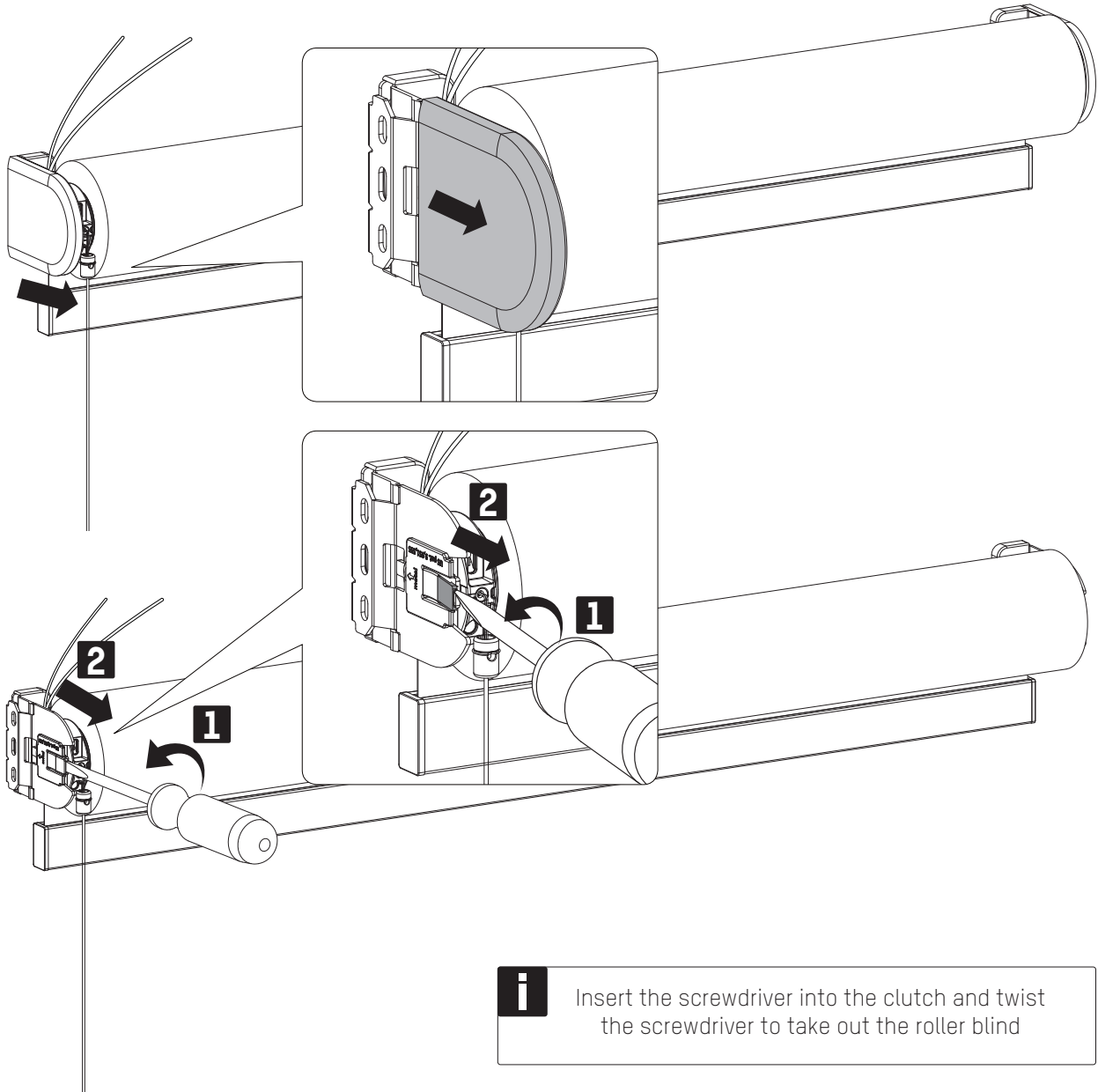


WARNING

- Young children can strangle themselves with the loop of pull cords, chains and tapes, and cords that operate window coverings.
- To avoid strangulation and entanglement, keep cords out of reach of young children.

- Cords may ensnare a child's neck.
- Move beds, cots and furniture away from window covering cords.
- Do not tie cords together.
- Make sure cords do not twist together and form a loop.





i Insert the screwdriver into the clutch and twist the screwdriver to take out the roller blind